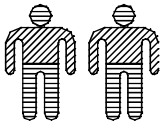


INSTRUCTIONS FOR MODEL: CHESTER TWIN SIZE BED

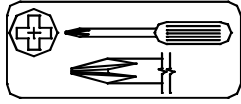
1332 Mahogany - 1334 Honey Pine

IMPORTANT:

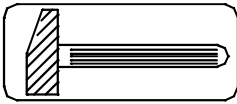
- Take your time, read all instructions first then follow each step as numbered and described
- Power tools are not recommended for assembling your furniture
- Give yourself plenty of room to work
- Due to the size of this bed, it must be assembled within the space it will occupy
- The assembly will require at least two people to complete
- Make sure all fasteners are tight



Tools Required



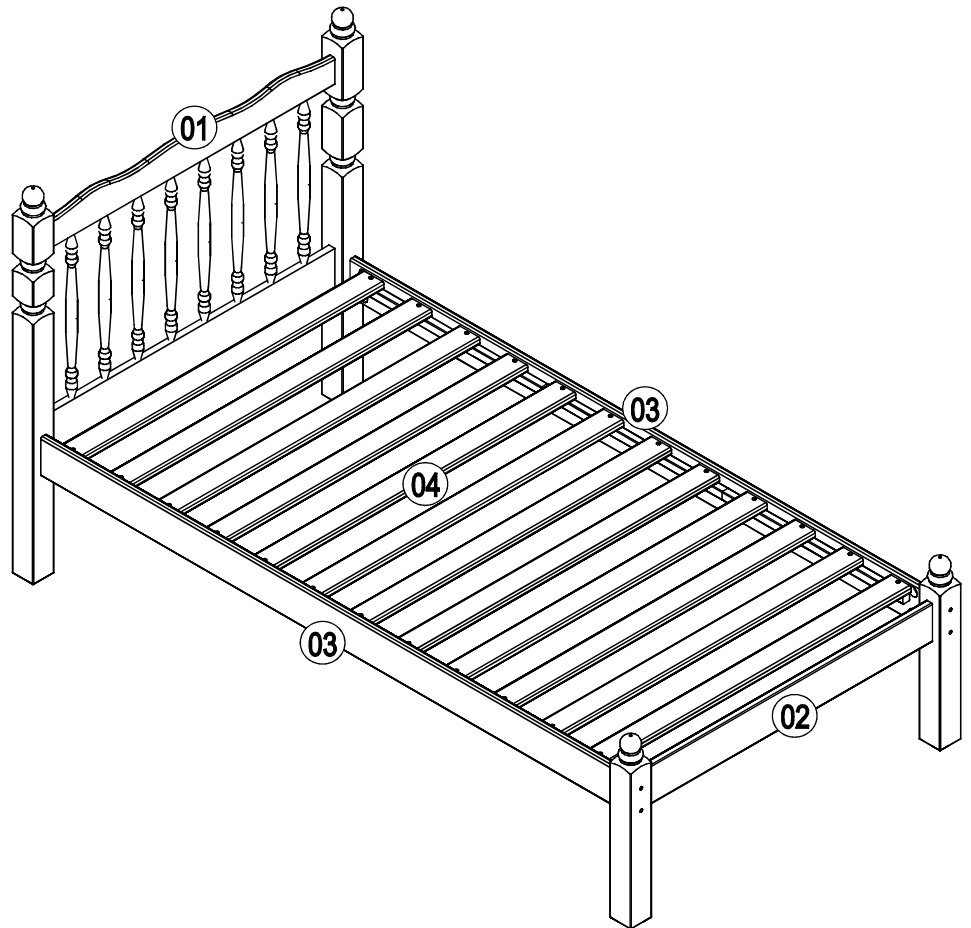
Phillips head
Screwdriver



Hammer

CARTONS REQUIRED:

- CARTON 1 / 2 Headboard, Footboard, Slats
- CARTON 2 / 2 Side Boards, Hardware



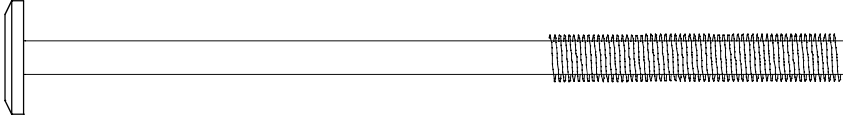
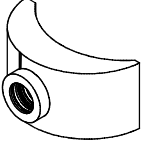
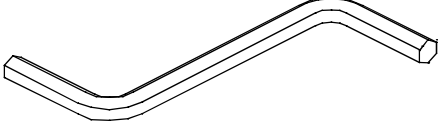
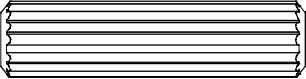
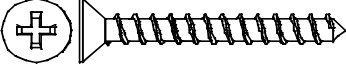

PARTS LIST (SEPARATE PARTS OF BUNK BED ACCORDING TO NUMBERING):

NR.	QUANTITY	BOX
(1,2,4) Headboards, Footboards, Slats	1/1/12	1 of 2
(3) Side rails	2	2 of 2
Hardware (dowels, screws, bolts, etc)	1	2 of 2

Benfatto
FURNITURE

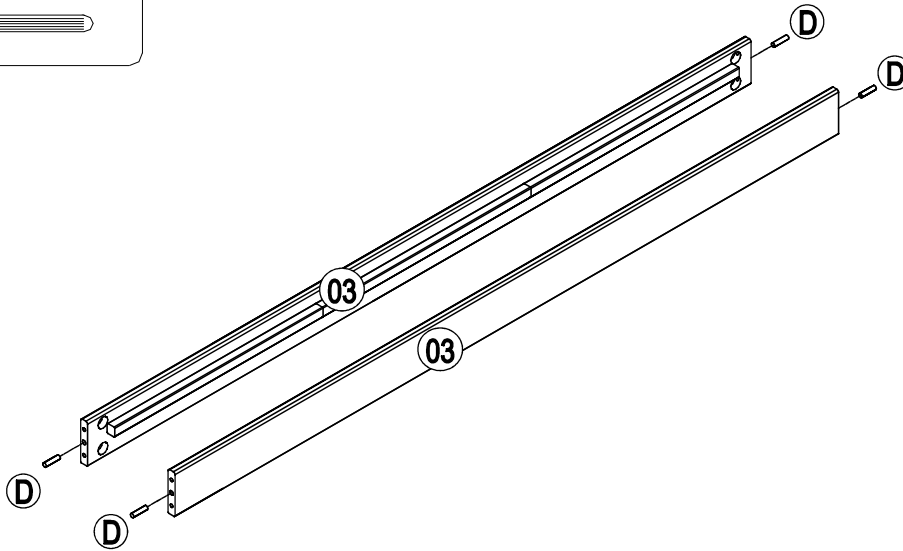
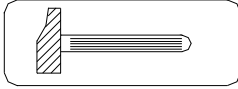
export@benfatto.com.br

IDENTIFY THE HARDWARE USING THE ILUSTRATIONS BELOW

A	8x	 <p>1/4" x 110 mm</p>
B	8x	 <p>1/4"</p>
C	1x	 <p>4,0 mm</p>
D	4x	 <p>10 x 40 mm</p>
E	24x	 <p>C.C - 4,0 x 35 mm</p>
F	2x	 <p>space block</p>

1)

D - 10 x 40mm - 4x



2)

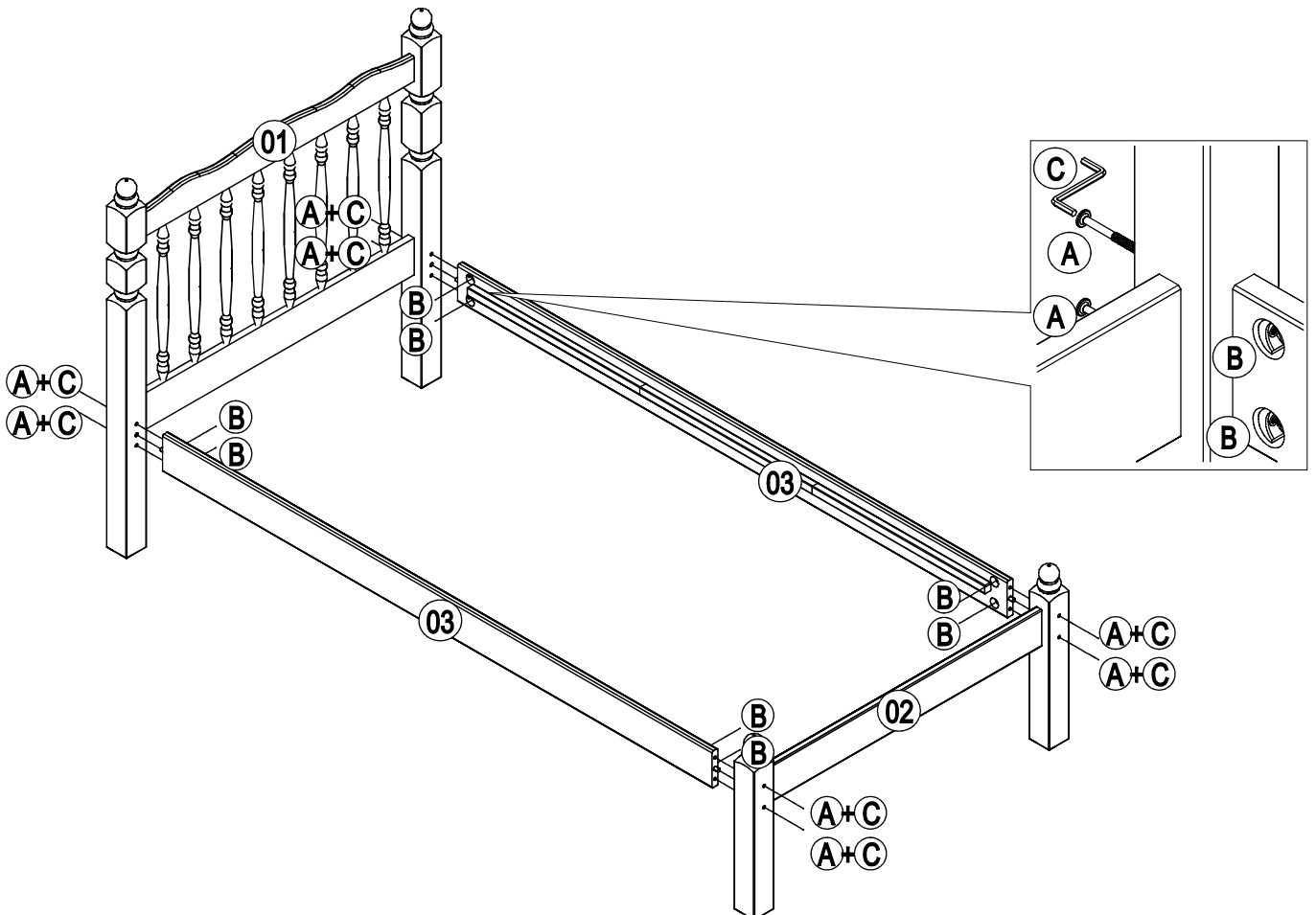
A - 1/4" x 150mm - 8x



C - 4,0mm - 1x

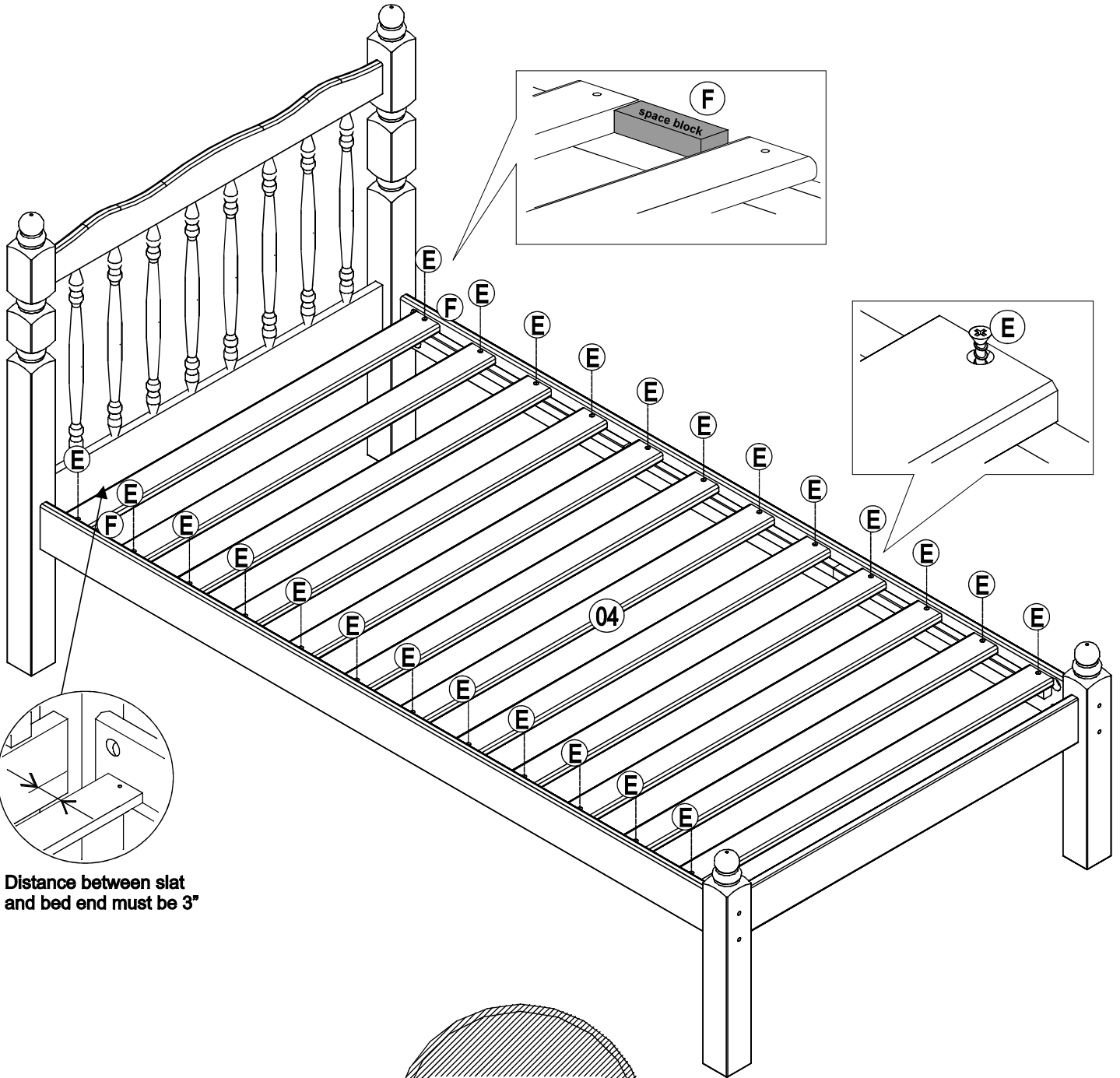
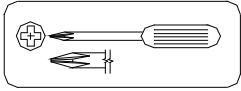
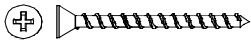


B - 1/4" - 8x



3)

E - 4,0 x 35mm - 24x



Distance between slat and bed end must be 3"

**TIGHTEN
WELL ALL
SCREWS.**

F - 2x

